

EARTH GROUND

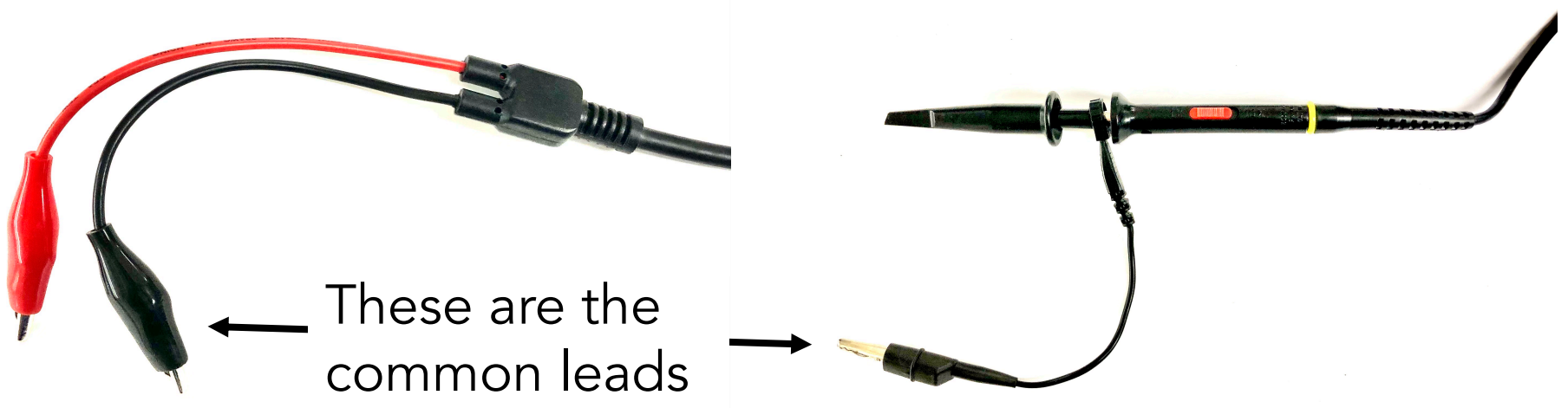
The ground signals in some equipment are connected to the Earth ground signal through the power outlets. The Earth acts as a neutral source and sink for electrons.

AFFECTED EQUIPMENT

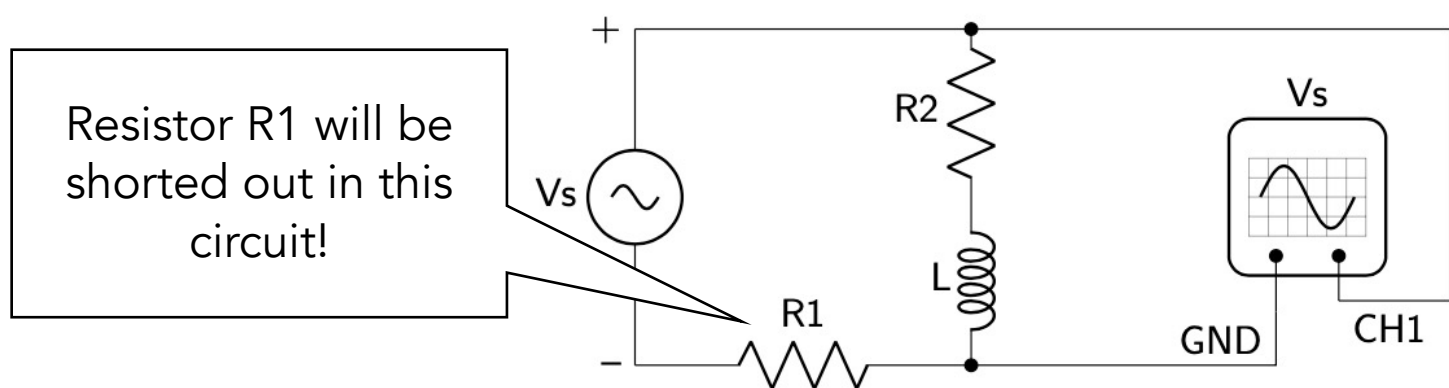
- Oscilloscope
- Function generator

WHAT THIS MEANS

The ground signals of both the oscilloscope and function generator are at the same potential.



If you do not connect them to the same node on a circuit, then you will short out other components!



WHAT TO DO

Be sure that the common leads for the oscilloscope and function generator are connected!

This is already the case for lab-provided circuit diagrams. Don't change the order of components!